

400 SCB speed controls for 400 Series, 313FDP/D, and 501FDP/RL DC pumps



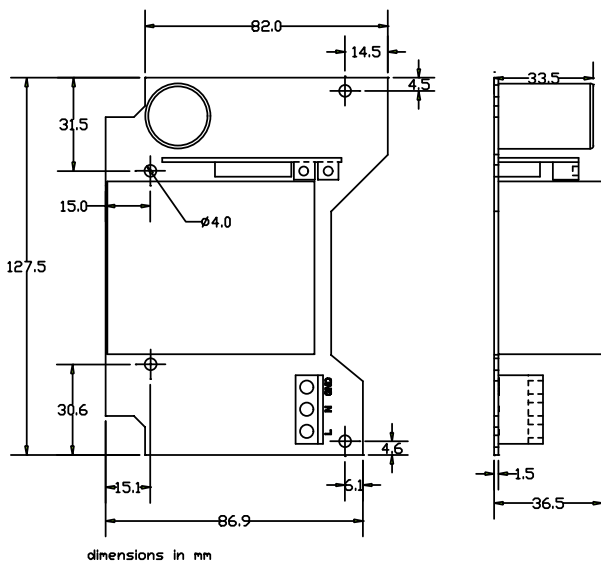
These OEM motor speed controls are designed for operating permanent magnetic DC motors up to 30 watts. They are linear type controllers that provide smooth acceleration and deceleration under load, and a turndown of 20:1. The low voltage unit will accept AC or DC inputs. The high voltage will work directly off main supply.

Ordering information

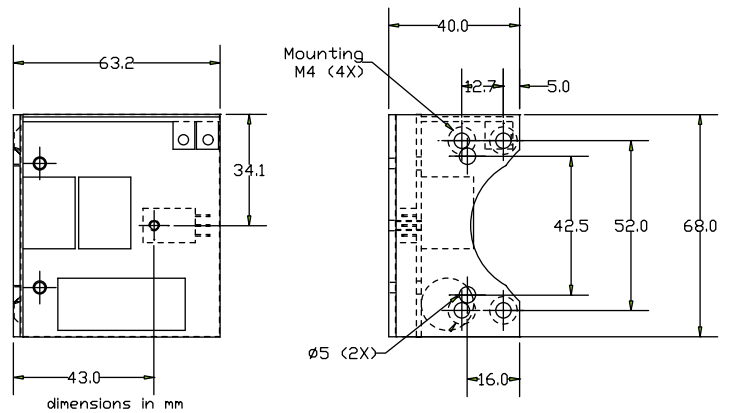
| Model | Supply Voltage | Output Voltage | Motor | |
|------------|-------------------------------|----------------------|-----------|------------------------------|
| 400SCB/534 | 15-30VDC or 12-22VAC 50/60 hz | 0-12V DC or 0-24V DC | 5/30 Watt | 049.C534.000 |
| 400SCB/424 | 110 VAC 50/60 Hz | 12V DC or 0-24V DC | 5 Watt | 049.C424.05A |
| 400SCB/424 | 110 VAC 50/60 Hz | 12V DC or 0-24V DC | 30 Watt | 049.C424.30A |
| 400SCB/424 | 220 VAC 50/60 Hz | 12V DC or 0-24V DC | 5 Watt | 049.C424.05E |
| 400SCB/424 | 220 VAC 50/60 Hz | 12V DC or 0-24V DC | 30 Watt | 049.C424.30E |

Specifications

| | |
|----------------------|---|
| Speed control ratio | 20:1 (stable, speed independent of load) |
| Remote speed options | 0-20 mA or 4-20 mA, 0-1V or 0-10V, remote potentiometer (10Kohm) |
| Stop/Start | Remote switch, or 5V logic |
| Direction | Remote switch, or 5V logic (on 534 models only) |
| User adjustments | Max speed and signal selection |
| Temperature range | -30°C to 40°C |
| Cooling | 10W (4°C/W) |



High Voltage 049.C424.***



Low Voltage 049.C534.000