

405U/R1, 405U/L and 405U/L2 auto/manual control high-flow pumps

400 series

Watson-Marlow Bredel

FEATURES

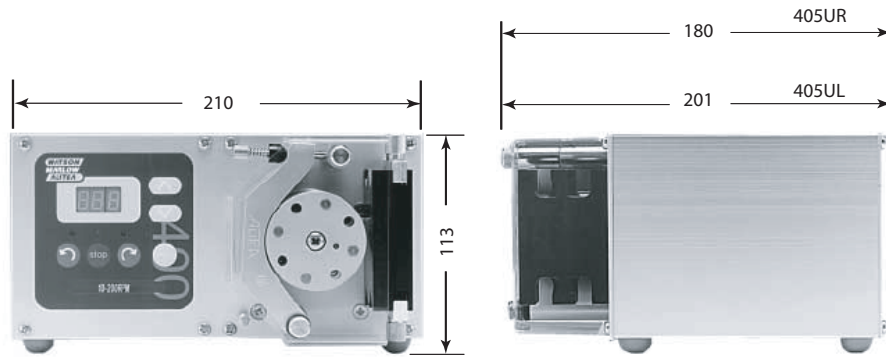
- The 405U/R1 produces single channel flows from 0.44 to 610ml/min
- The 405U/L produces low-pulsing, single channel flows from 0.86 to 730ml/min using split channel element
- The 405U/L2 produces dual channel flows up to 370ml/min per channel
- Speed control via top panel mounted keypad, with digital display
- Reversible motor for easy fluid recovery
- “Max” high speed priming function
- Analogue speed control and remote switching via a 15D connector



FUNCTIONALITY

Flow rate ranges, per channel (ml/min)									
	Tube bore and flow rates (ml/min)								
	Speed rpm	0.5mm	0.8mm	1.6mm	2.4mm	3.2mm	4.0mm	4.8mm	6.4mm
405U/R1	20-200	0.44-4.4	1.1-11	4.4-44	9.8-98	17-170	26-260	37-370	61-610
405U/L	20-200	0.86-8.6	2.2-22	8.8-88	20-200	34-340	52-520	73-730	
405U/L2	20-200	0.44-4.4	1.1-11	4.4-44	9.8-98	17-170	26-260	37-370	

DRAWINGS



SPECIFICATIONS

Weight	3.5kg
Operational temperature range	5°C à 40°C
Noise	<70dBA at 1m
Control ratio	10:1
Standards	CE,BS0800,IEC335-1,EN60529 (IP21)
Supply	30VA, 220-240V 50/60Hz 1ph

MATERIALS OF CONSTRUCTION

Composante	Materiale
Drive	Extruded anodised aluminium
Front support	Anodised aluminium plate
Pumphead track	Extruded anodised aluminium
Pumphead rollers	Stainless steel
Pumphead rotor	Aluminium
Pumphead guard	Polyester resin (PET)
Tube clamps	Acetal

ORDER INFORMATION

Product code	rpm	Description
040.5S1R.010*	10-200	405U/R1 220-240V 50/60Hz 1ph single channel high flow pump
040.5S1L.010*	10-200	405U/L 220-240V 50/60Hz 1ph Y-element high flow pump
040.5S1L.020*	10-200	405U/L2 220-240V 50/60Hz 1ph dual channel high flow pump
049.0011.000	400AC1	0-10V CW/STOP/CCW 1.5m remote cable
049.0031.000	400AC2	4-20mA CW/STOP/CCW 1.5m remote cable
049.0051.000	400AC3	CW/STOP/CCW 1.5m remote cable
049.0071.000	400AC4	START/STOP 3m remote cable fitted with foot switch

*Replace last 0 with A, E or U for American, European or UK mains supply (American 110V 1ph 60Hz)

Tube ordering codes				
Bore/wall(mm)	Bioprene	Marprene	Peroxide silicone	Platinum silicone
0.5 / 1.6	903.0005.016	902.0005.016	910.0005.016	913.A005.016
0.8 / 1.6	903.0008.016	902.0008.016	910.0008.016	913.A008.016
1.6 / 1.6	903.0016.016	902.0016.016	910.0016.016	913.A016.016
2.4 / 1.6				
3.2 / 1.6	903.0032.016	902.0032.016	910.0032.016	913.A032.016
4.0 / 1.6				
4.8 / 1.6	903.0048.016	902.0048.016	910.0048.016	913.A048.016
6.4 / 1.6	903.0064.016	902.0064.016	910.0064.016	913.A064.016
Bore/wall(mm)	Neoprene	STA-PURE ®	Chem-Sure ®	PVC
0.8 / 1.6	920.0008.016			950.0008.016
1.6 / 1.6	920.0016.016	960.0016.016	965.0016.016	950.0016.016
3.2 / 1.6	920.0032.016	960.0032.016	965.0032.016	950.0032.016
4.8 / 1.6	920.0048.016	960.0048.016	965.0048.016	950.0048.016
6.4 / 1.6	920.0064.016	960.0064.016	965.0064.016	950.0064.016

Tube ordering codes for L pumphead Y-elements				
Bore/wall(mm)	Marprene	Peroxide silicone		
1.6 / 1.6	902.E016.016	910.E016.016		
2.4 / 1.6	902.E024.016	910.E024.016		
3.2 / 1.6	902.E032.016	910.E032.016		
4.8 / 1.6	902.E048.016	910.E048.016		

®STA-PURE and Chem-Sure are registered trademarks of W.L Gore & Associates Inc. Please state the product code when ordering pumps and tubing.



Watson-Marlow-Bredel Pumps
Falmouth, Cornwall England TR11 4RU
Tel: +44 (0)1326 370370 Fax: +44 (0)1326 376009
www.watson-marlow.com info@watson-marlow.co.uk