



Improving your PERFORMANCE

## 621VI/R, RE and RE4 variable speed close coupled pumps

### Technical information

- Rugged 620 pumphead with large swept volume for flows from 0.08 to 19 litres/minute
- Chemical resistant construction with impact proof tool unlocking safeguard and leak detection options
- Retractable rollers for easy low effort tube loading and in line CIP/SIP operation
- Two roller high flow or four roller low pulsing options
- Continuous 3.2mm wall option with fixed clamps for 6.4mm, 9.6mm, 12.7mm and 15.9mm tubing for up to 2 bar peak discharge pressure
- LoadSure "one minute maintenance" sanitary or industrial tubing elements for up to 4 bar peak discharge pressure
- Industrial foot mounted geared AC motor with internal gearbox nose seal for extra chemical protection
- IP55 integrated frequency inverter/motor gearbox, offering 10:1 manual speed control (IP65 upgrades available)
- Stop/forward/reverse control as standard, analogue or digital remote control options also available



### Flow rates(litre/min)

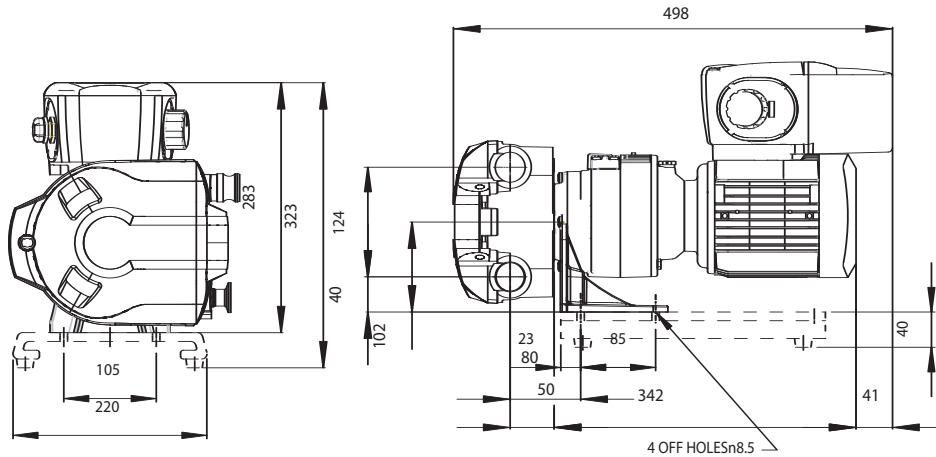
Neoprene, Sta-Pure	620R				620RE		620RE4	
	6.4mm	9.6mm	12.7mm	15.9mm	12.0mm	17.0mm	12.0mm	17.0mm
Speed Range								
7 to 78rpm	0.08-0.9	0.18-2.0	0.28-3.1	0.43-4.8	0.28-3.1	0.51-5.6	0.24-2.6	0.35-3.9
15 to 146rpm	0.18-1.8	0.38-3.7	0.60-5.8	0.92-8.9	0.60-5.8	1.1-11	0.51-4.9	0.76-7.4
27 to 261rpm	0.32-3.1	0.68-6.5	1.1-10	1.6-16	1.1-10	1.9-19	0.91-8.8	1.4-13

Marprene/Bioprene	620R (TL tubing)				620RE (TL tubing)		620RE4 (TL tubing)		620RE (TM tubing)		620RE4(TM tubing)	
	6.4mm	9.6mm	12.7mm	15.9mm	12.0mm	17.0mm	12.0mm	17.0mm	12.0mm	17.0mm	12.0mm	17.0mm
Speed range												
7 to 78rpm	0.09-1.0	0.18-2.0	0.28-3.1	0.37-4.3	0.26-2.9	0.47-5.2	0.22-2.5	0.33-3.7	0.26-2.9	0.41-4.6	0.22-2.5	0.29-3.2
15 to 146rpm	0.20-1.9	0.38-3.7	0.60-5.8	0.80-7.8	0.56-5.4	1.0-9.8	0.47-4.6	0.71-6.9	0.56-5.4	0.88-8.6	0.47-4.6	0.62-6.0
27 to 261rpm	0.35-3.4	0.68-6.5	1.1-10	1.4-11	1.00-9.7	1.8-18	0.85-8.2	1.3-12	1.00-9.7	1.6-15	0.85-8.2	1.1-11

Platinum Silicone	620R				620RE		620RE4	
	6.4mm	9.6mm	12.7mm	15.9mm	12.0mm	17.0mm	12.0mm	17.0mm
Speed Range								
7 to 78rpm	0.08-0.9	0.19-2.1	0.29-3.3	0.38-4.8	0.27-3.0	0.43-4.8	0.23-2.6	0.30-3.3
15 to 146rpm	0.18-1.8	0.41-3.9	0.63-6.1	0.83-9.3	0.58-5.7	0.91-8.9	0.49-4.8	0.64-6.2
27 to 261rpm	0.32-3.1	0.73-7.0	1.1-11	1.5-15	1.0-10	1.6-16	0.89-8.6	1.2-11

### Tube life (620RE and 620R pumpheads with water @ 20C 100rpm rotor speed)

Bioprene TL/Marprene TL	6,000
STA-PURE	6,000
Neoprene	430
Platinum Silicone	230
PVC	90
Fluorel	70



## 621VI/R, RE and RE4 variable speed close coupled pumps

Product codes			
Pump	rpm	Supply	Product code
621VI/R continuous tubing	7-78	230V 50Hz 1 ph 0.37kW IP55 2 roller pumphead for maximum 2 bar*	060.8822.020
	15-146	230V 50Hz 1 ph 0.37kW IP55 2 roller pumphead for maximum 2 bar*	060.8852.020
	27-261	230V 50Hz 1 ph 0.37kW IP55 2 roller pumphead for maximum 2 bar*	060.8872.020
621VI/RE Loadsure element	7-78	230V 50Hz 1 ph 0.37kW IP55 2 roller pumphead for maximum 4 bar**	060.8822.E20
	15-146	230V 50Hz 1 ph 0.37kW IP55 2 roller pumphead for maximum 4 bar**	060.8852.E20
	27-261	230V 50Hz 1 ph 0.37kW IP55 2 roller pumphead for maximum 4 bar**	060.8872.E20
621VI/RE4 Loadsure element	7-78	230V 50Hz 1 ph 0.37kW IP55 4 roller pumphead for maximum 4 bar**	060.8822.E40
	15-146	230V 50Hz 1 ph 0.37kW IP55 4 roller pumphead for maximum 4 bar**	060.8852.E40
	27-261	230V 50Hz 1 ph 0.37kW IP55 4 roller pumphead for maximum 4 bar**	060.8872.E40

LoadSure™ tube element codes for 620RE and 620RE4 pumpheads						
Material	12mm DIN 15	12mm Tri-clamp 3/4"	17mm DIN 15	17mm Tri-clamp 3/4"	12mm Cam & Groove 3/4"	17mmCam & Groove 3/4"
STA-PURE	960.0120.PFD	960.0120.PFT	960.0170.PFD	960.0170.PFT		
Bioprene TM	903.M120.PFD	903.M120.PFT	903.M170.PFD	903.M170.PFT		
Bioprene TL	903.0120.PFD	903.0120.PFT	903.0170.PFD	903.0170.PFT		
Plat Silicone	913.0120.PFD	913.0120.PFT	913.0170.PFD	913.0170.PFT		
Marpene TM					902.M120.PPC	902.M170.PPC
Marpene TL					902.0120.PPC	902.0170.PPC
Neoprene					920.0120.PPC	920.0170.PPC

Continuous tubing product codes for 620R pumphead						
mm	"	#	Marpene	Bioprene	Platinum Silicone	STA-PURE
6.4	1/4	26	902.0064.032	903.0064.032	913.0064.032	960.0064.032
9.6	3/8	73	902.0096.032	903.0096.032	913.0096.032	960.0096.032
12.7	1/2	82	902.0127.032	903.0127.032	913.0127.032	960.0127.032
15.9	5/8	184	902.0159.032	903.0159.032	913.0159.032	960.0159.032
mm	"	#	Neoprene	PVC	Fluorel	Chem-Sure
6.4	1/4	26	920.0064.032	950.0064.032	970.0064.032	965.0064.032
9.6	3/8	73	920.0096.032	950.0096.032	970.0096.032	965.0096.032
12.7	1/2	82	920.0127.032	950.0127.032	970.0127.032	965.0127.032
15.9	5/8	184	920.0159.032	950.0159.032	970.0159.032	965.0159.032

© Fluorel is a registered trademark of Dyneon LLC, a 3-M Hoechst Enterprise

© STA-PURE is a registered trademark of W.L. Gore & Associates Inc.

Please state the product code when ordering pumps and tubing.

### Specification

#### Weight

621VI/R - 26.5kg  
621VI/RE - 26.5kg  
621VI/RE4 - 27kg

#### Operational temperature range

5°C to 40°C

#### Noise

Max <75dBA at 1m

#### Standards

CE, BS0800, IEC335-1, EN60529 (IP55)

#### Supply

230/400V 3 ph 50/60Hz

### Materials of construction

#### Drive:

#### Motor

Aluminium

#### Gearbox

Cast iron

#### Track

#### coated

Aluminium LM24M powder

#### Guard

Outer layer - Polyurethane  
PBA  
Inner shell - Grilamid TR55

#### Guard catch

EN34 case hardened Xlan  
5200 coated

#### Rotor

#### Hub and roller arms

Fortron 1140L4 (PPS)

#### Cover

Dupont Hytrel G5544

#### Main rollers

Stainless steel 304

#### Main roller bearings

Carbon steel

#### Tube clamp sets

Polypropylene



Watson-Marlow-Bredel Pumps

Falmouth

Cornwall

England

TR11 4RU

Tel: +44 (0) 1326 370370

Fax: +44 (0) 1326 376009

www.watson-marlow.com

Email support4gb@watson-marlow.co.uk